

# INSTRUCTIONS: The BEST Napkins

## FOR 6 NAPKINS YOU WILL NEED:

- 2½ yards of 54 inch-wide fabric
- Matching thread
- Measuring yard stick, or your longest ruler
- Triangle or T-square
- Sewing machine
- Scissors
- Pins
- Ironing board and iron

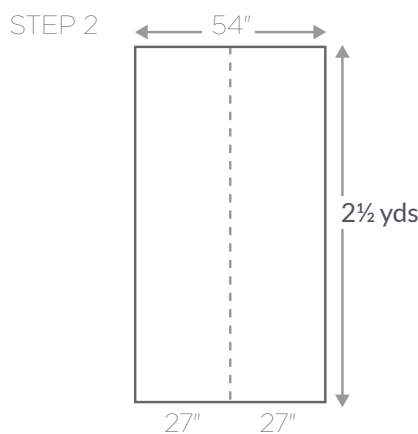
## STEP 1

Look for 2 ½ yards of 54 inch-wide, 100% cotton or 100% linen fabric. The fabric cannot have a pattern printed only on one side. If you use a patterned fabric, it must be a woven pattern fabric — so the pattern shows up on both sides. You can use a poly-blend, but we like the old school feel of 100% natural fabric. For linen, try shopping at SAS— they have plenty of options and costs only about \$7 per yard.

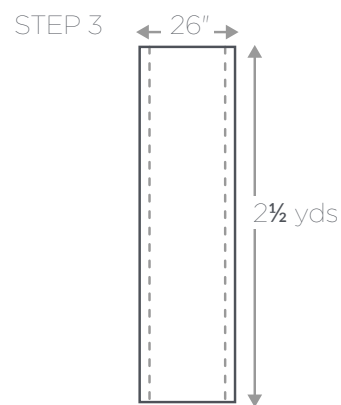
Consider a solid or a fabric with woven stripes as the stripes will help when cutting, folding, ironing and sewing straight edges. We like 100% cotton “ticking” fabric for a country-kitchen look.

## STEP 2

Fold your fabric in half the long way and lightly iron the center fold. Cut your fabric the long way, straight down the fold in the middle of the 2 ½ yards. This will give you two pieces of fabric, 2 ½ yds long and 27 inches wide.



Fold and cut down middle



½" Fold up & press

## STEP 3

On the long edges, press up ½ inch and iron well.

## STEP 4

Using your t-square or triangle, straighten out your top edge, marking a perfect perpendicular line. This is your cutting line and needs to be perfectly perpendicular to the long edge of your fabric. Draw this straight line with a fabric pencil or any pen or sharpie that will show up for easy cutting. (This edge will be folded inward, so your markings won't show.)

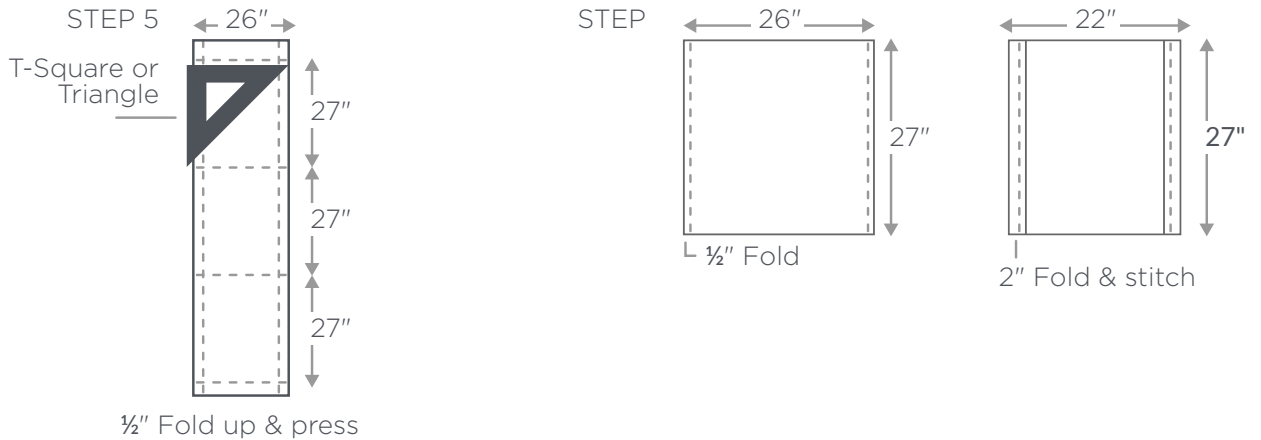
Cut.



Sign up at [www.liveinmariposa.com/stay-connected/](http://www.liveinmariposa.com/stay-connected/) to get the latest information and news from Mariposa.

STEP 5

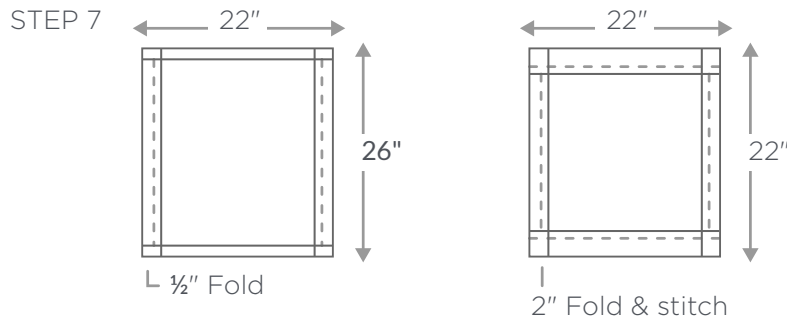
Now, measure and cut your next perpendicular line, 27 inches away. This should make a perfect 27-inch square. Continue to cut each of the pieces into 27-inch squares, so you end up with six 27-inch squares. Be sure to use your T-square or large triangle to make sure you are cutting perpendicular lines. (You will have a little leftover scrap fabric.)



STEP 6

On the edges that you ironed with 1/2 inch fold, now measure 2 inches in, fold up again, and press. Use a steam iron that is set on cotton or linen, so the fold is nice and crisp.

Stitch the inside edge of your 2-inch fold, using a normal straight stitch. Take your time and use the guide on the sewing machine foot or plate to keep your margin the same width. Sometimes it can help to put a piece of masking tape on the plate to show you exactly where you want the fabric and needle to fall, which helps keep your seam straight and even.



STEP 7

Now, you should have two parallel edges done, and two to go for your napkin. Repeat the process for the other two sides. That is, fold in the two remaining sides 1/2 inch and press. Then, measure and fold in each side another 2 inches and press. Now stitch those sides.

You now have a completed napkin! The 2-inch borders look so much better than a typical napkin and you didn't have to make special beveled corners or anything! Iron them out well and enjoy!

